

SW3000

The ideal light duty double swing gate opener
up to 4m/ 400 kg (2m/200kg each wing)



This product offers the best choice for who desire a reliable & simple gate opener
easy to be installed.
2 years warranty with direct e-mail & phone assistance 7/24



FEATURES:

- Made in Italy
- Ideal for continuous use.
- Step by step function (open-close by a remote control command) or automatic closure function: the gate will automatically close after 30 sec. pause time
- The gate is automatically locked in closed position (irreversible system). Electro-lock is not needed
- Manual release system to unlock the gate in case of power failure
- Compatible with protected manual release system SW-LOCKwith customized key (optional accessory)
- CE conformity: Product certified on all points of the current European regulations.
- Notify body as NEMKO / INTERTEK test reports & certificates available on request
- Safety is ensured by an sensitive amperometrical obstacle detection system and pressure control. Photocells (safety beans) are no longer mandatory. Photocells are an optional accessory that can be helpful to prevent scratches to the painting of vehicles left in the vicinity of a moving gate. (EN13241-1: 2003 + A1 (April 2011) EN12453 : 2002 EN12445 : 2000)

DUCATI low-voltage motors advantages:

- no risk of electrocution
- maximum efficiency even in extremely hot or humid climates
- maximum security and control of movement
- maximum and immediate initial starting even at low temperatures
- continuous use without the risk of overheating the engine
- consumption reduction reduces energetic bills costs
- the pulling slide actuator prevents prevents the making of an ice coating layer on the piston in subzero temperatures
- manual release system



SW3000

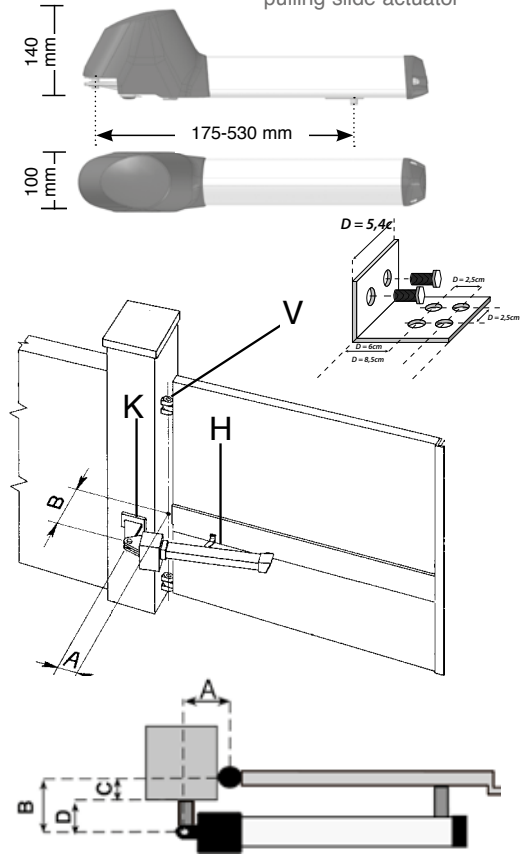
The ideal light duty double swing gate opener up to 4m/ 400 kg (2m/200kg each wing)



This product offers the best choice for who desire a reliable & simple gate opener easy to be installed.
2 years warranty with direct e-mail & phone assistance 7/24

TECHNICAL FEATURES	SW400
Actuator Operating voltage	12V dc
Power	60W
Maximum thrust	1200N
Stroke lenght	400mm
Max. wing lenght up to (each) (L)	2,2m
Max. opening angle up to	120°
Max wing weight (each)	200kg
Operating temperature	-20°C / +60°C
Mechanical limits for wing in open position	√FCM version only
Mechanical limits for wing in closed position	√FCM version only
Maximum duty cycle	continuous

SW400 linear pulling slide actuator



7851 control box



TAB 1	A=10 cm	A=12cm	A=14 cm	A=18 cm
B= 10cm	108°	115°	120°	100°
B= 12cm	105°	112°	100°	100°
B= 14cm	103°	109°	98°	
B= 16cm	101°	97°	90°	
B= 18cm	97°			

SW 3000	PACKAGE CONTENTS	LIMITS
	SIMPLE TO BE INSTALLED LIGHT DUTY SWING GATE OPENER	
	2 x SW400	linear pulling slide actuator 12V 400mm stroke; with 1m cable; unlocking key & fixing brackets
	1 x 7851	Small control box with electronic board CTH41 toroidal transformer, integrated radio-receiver
	1 x FLASH7512	blinker light
	1 x SW5000	key switch N.O
	2 x 6203R	2 channels radio rolling code remote control
		up to 2x 2,2m/220kg

